

THIS DRAWING IS UNPUBLISHED.

RELEASED FOR PUBLICATION

ALL RIGHTS RESERVED.

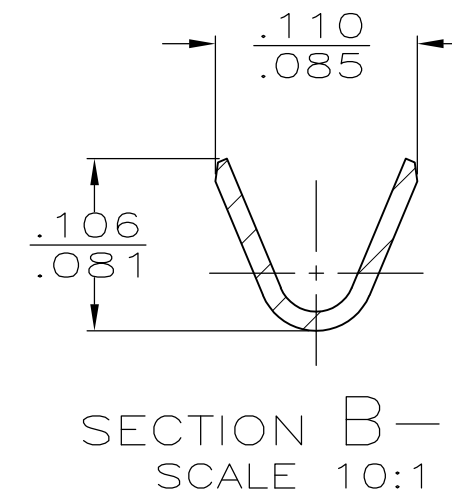
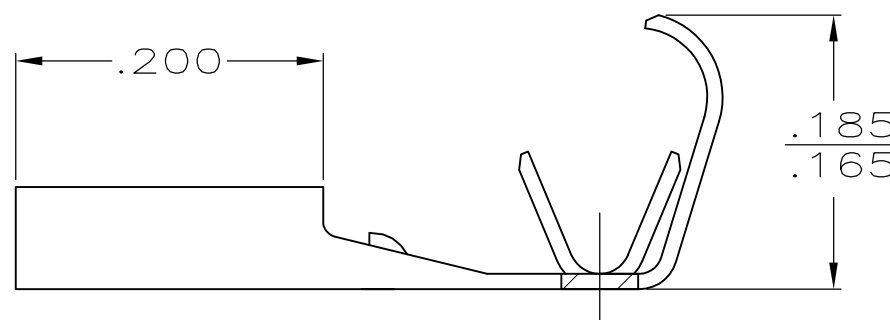
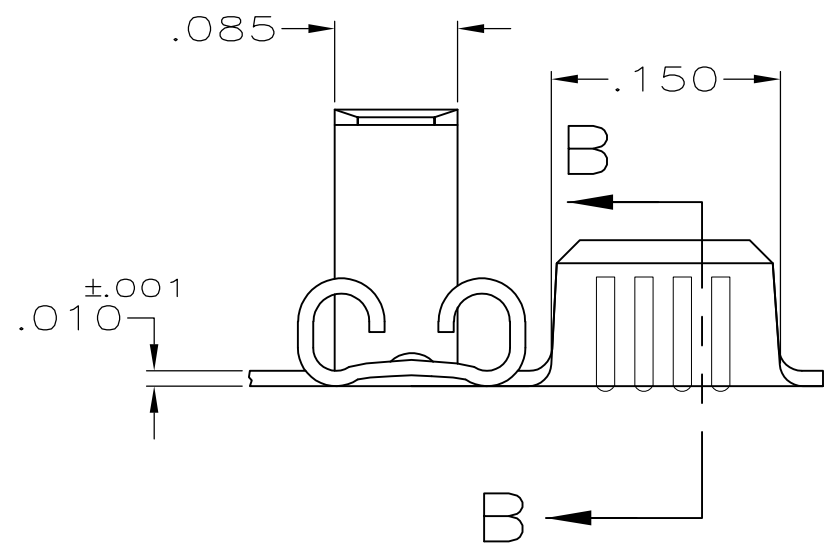
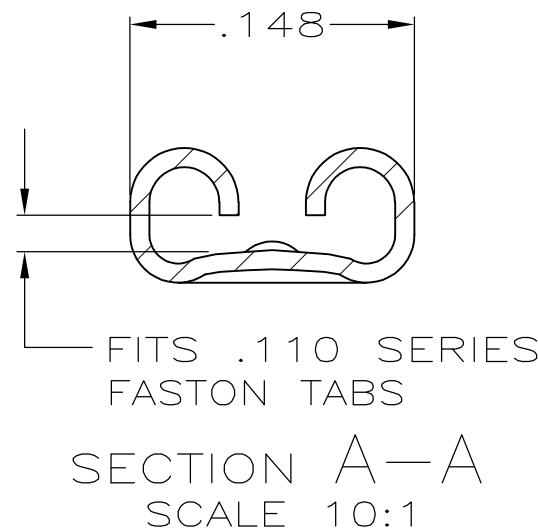
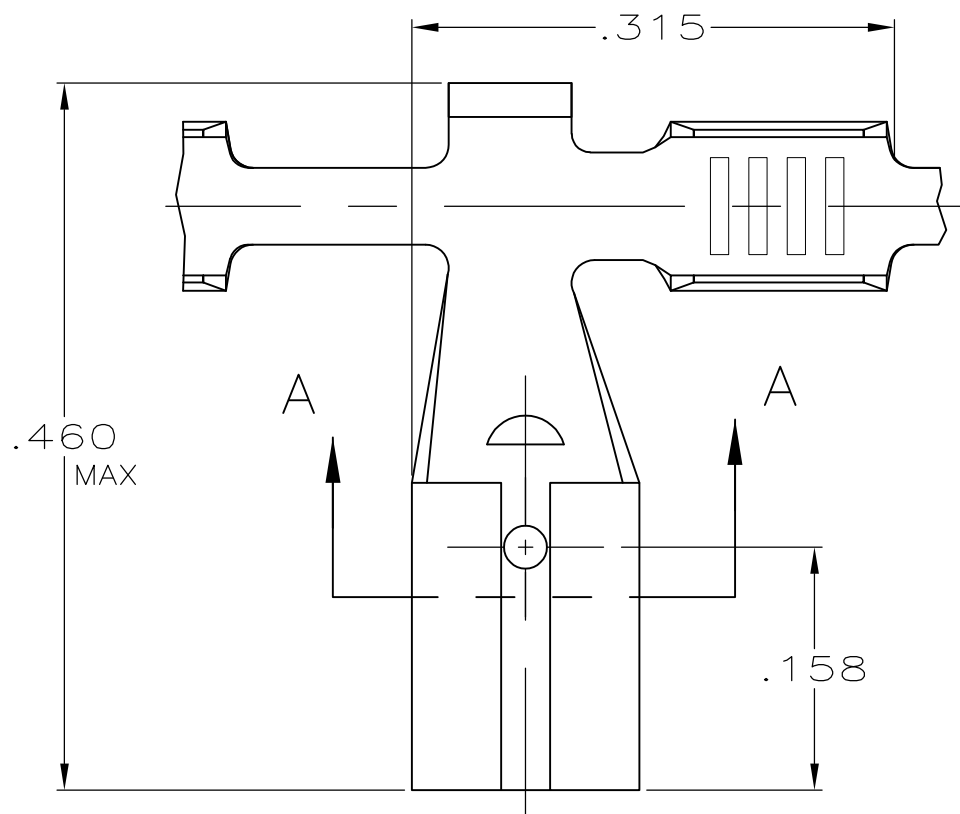
© COPYRIGHT - By -

LOC AF DIST 50


REVISIONS

P	LTR	DESCRIPTION	DATE	DWN	APVD
	C	REVISED PER ECR-12-013459	28NOV2012	KH	PD

1 CONTINUOUS STRIP ON REELS



.065-.100 DIA	22-18 AWG	.016	61459-1
INSULATION RANGE	WIRE SIZE	MATING TAB THK ±.001	PART NO.

THIS DRAWING IS A CONTROLLED DOCUMENT.		DWN JR RUTH 4/24/91	 TE Connectivity RECEPTACLE, FASTON, FLAG, .110 SERIES					
DIMENSIONS: INCHES		CHK MS FEHER 4/24/91						
TOLERANCES UNLESS OTHERWISE SPECIFIED:		APVD C MEYERS 4/24/91						
0 PLC ± - 1 PLC ± - 2 PLC ± - 3 PLC ± .015 4 PLC ± - ANGLES ± -		NAME						
MATERIAL BRASS		FINISH PRE-TIN	PRODUCT SPEC	SIZE	CAGE CODE	DRAWING NO	RESTRICTED TO	
			APPLICATION SPEC	A3	00779	C-61459		
			WEIGHT -	CUSTOMER DRAWING		SCALE 8:1	SHEET 1 OF 1	REV C